



INSTALLATION INSTRUCTIONS

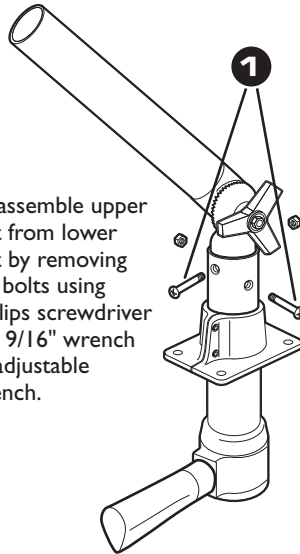
Your Rupp Marine Top Guns come fully assembled. To install, you will need a 1/4" allen wrench, a 9/16" wrench or adjustable wrench.

Please contact us at 772-286-5300 or at service@ruppmarine.com with any questions.

rev. 092910

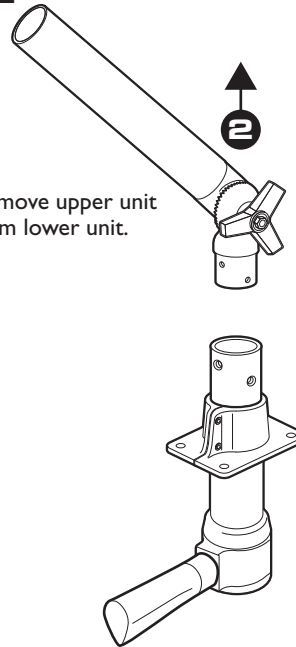
1

Disassemble upper unit from lower unit by removing the bolts using phillips screwdriver and 9/16" wrench or adjustable wrench.



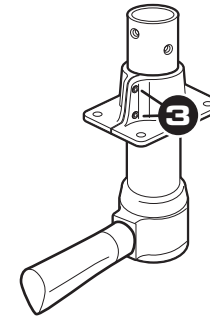
2

Remove upper unit from lower unit.



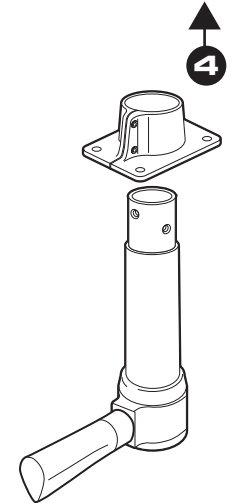
3

Loosen Mounting Collar by unscrewing both allen screws with allen wrench.



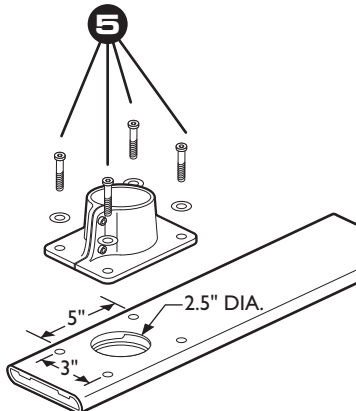
4

Slide Mounting Collar vertically to remove from Top Gun.



5

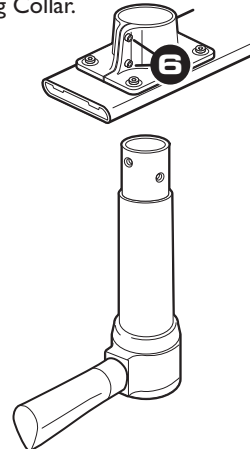
Attach Mounting Collar to Mounting Plate or Hardtop with appropriate length 5/16" stainless steel allen bolts and washers. **DO NOT FULLY TIGHTEN BOLTS AT THIS POINT.**



Note: Shown with optional mounting plate p/n 17-1502-23.

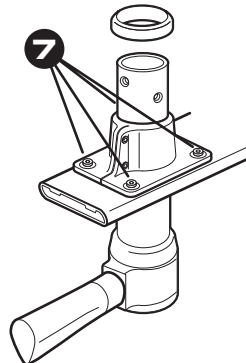
6

Insert lower unit into Mounting Collar from underneath. With lower unit in desired position, tighten both allen bolts with allen wrench to secure the lower unit to Mounting Collar.



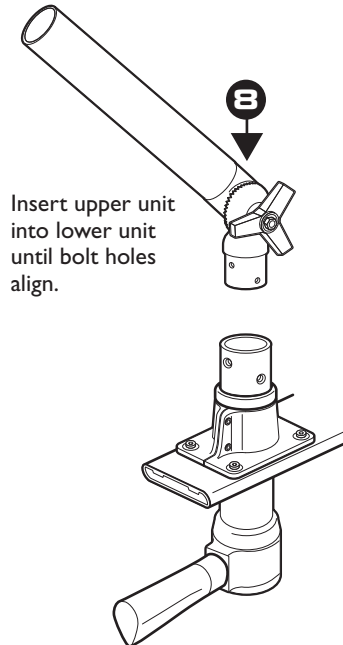
7

Slide cuff over lower unit until it meets the top of the Mounting Collar. Ensure bolt holes are exposed above cuff. **TIGHTEN BOLTS TO SECURE MOUNTING COLLAR TO PLATE OR HARDTOP.**



8

Insert upper unit into lower unit until bolt holes align.



9

Secure entire Top Gun assembly by fastening the bolts and nuts using phillips screwdriver and 9/16" wrench or adjustable wrench.

