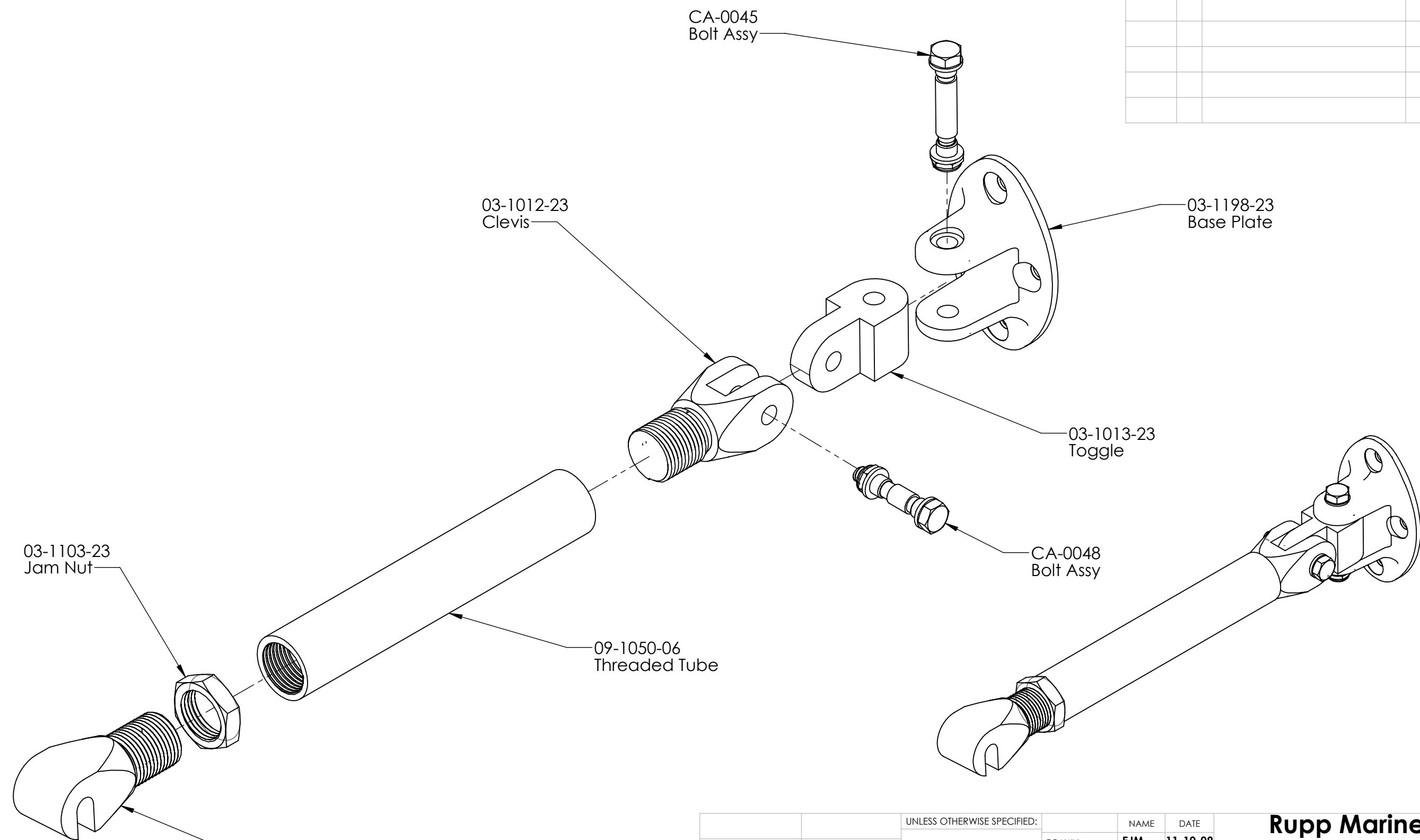


Date	Revision Description	AUTH	DR	CK



PROPRIETARY AND CONFIDENTIAL
 THE INFORMATION CONTAINED IN THIS DRAWING IS THE SOLE PROPERTY OF <INSERT COMPANY NAME HERE>. ANY REPRODUCTION IN PART OR AS A WHOLE WITHOUT THE WRITTEN PERMISSION OF <INSERT COMPANY NAME HERE> IS PROHIBITED.

UNLESS OTHERWISE SPECIFIED:		NAME	DATE	Rupp Marine Port Salerno, Fl.	
DIMENSIONS ARE IN INCHES TOLERANCES: FRACTIONAL ± ANGULAR: MACH ± BEND ± TWO PLACE DECIMAL ± THREE PLACE DECIMAL ±		DRAWN	11-10-09		
INTERPRET GEOMETRIC TOLERANCING PER:		CHECKED		TITLE: Exploded View Hold In Arm	
MATERIAL		ENG APPR.			
FINISH		MFG APPR.		SIZE DWG. NO. REV	
NEXT ASSY	USED ON	Q.A.		B CA-0037 NC	
APPLICATION		COMMENTS:		SCALE: None SHEET 1 OF 1	
DO NOT SCALE DRAWING					