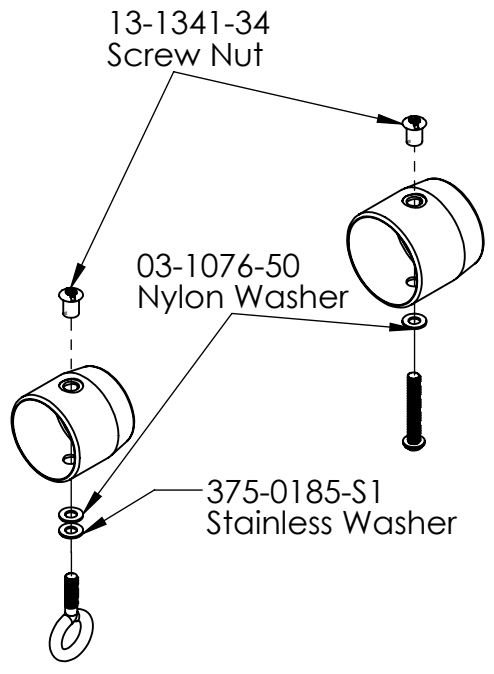
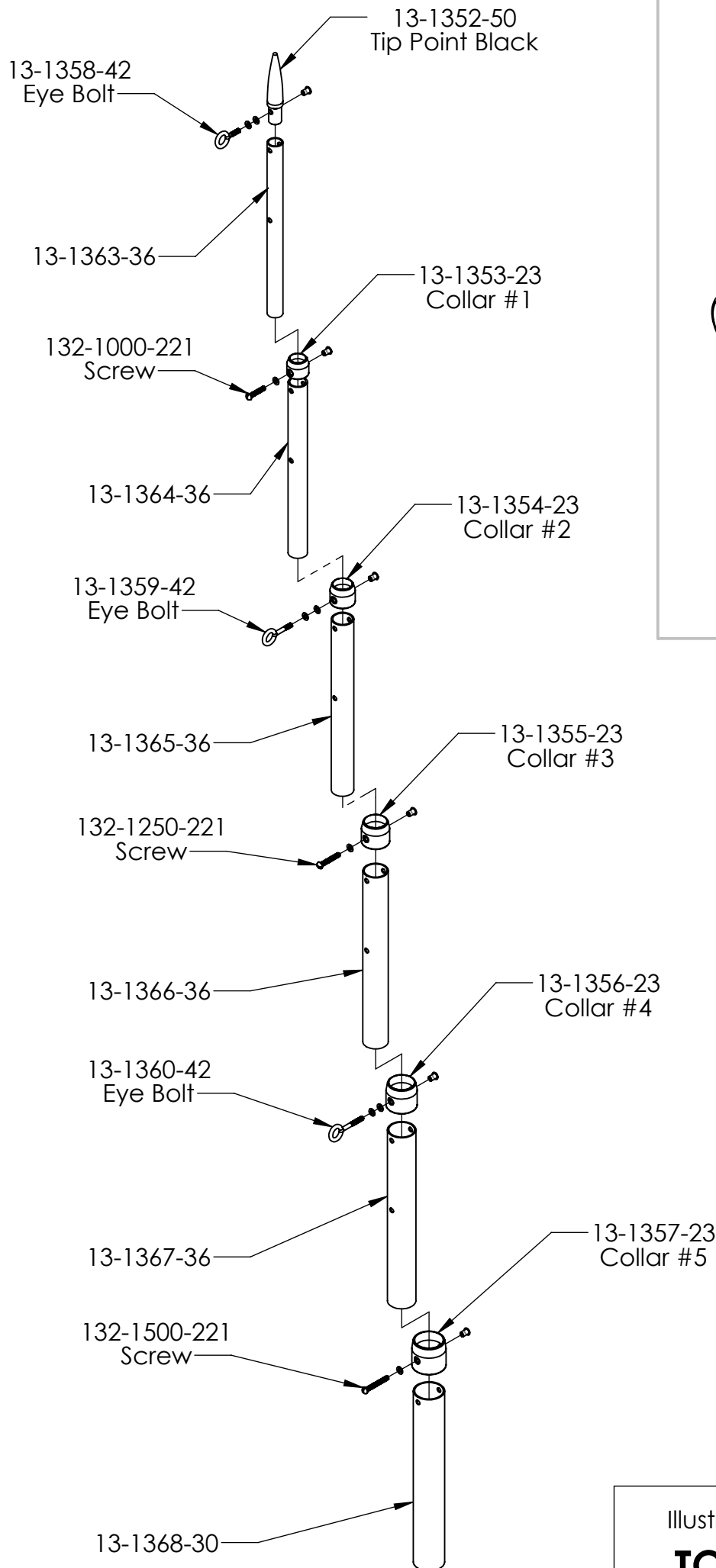


A
B
C
D
E
F



Collar Assembly Detail

RUPP Marine
Port Salerno, Fl

Illustrated Parts Break Down for:
TOP GUN POLES 15'
A0-1500-SIX