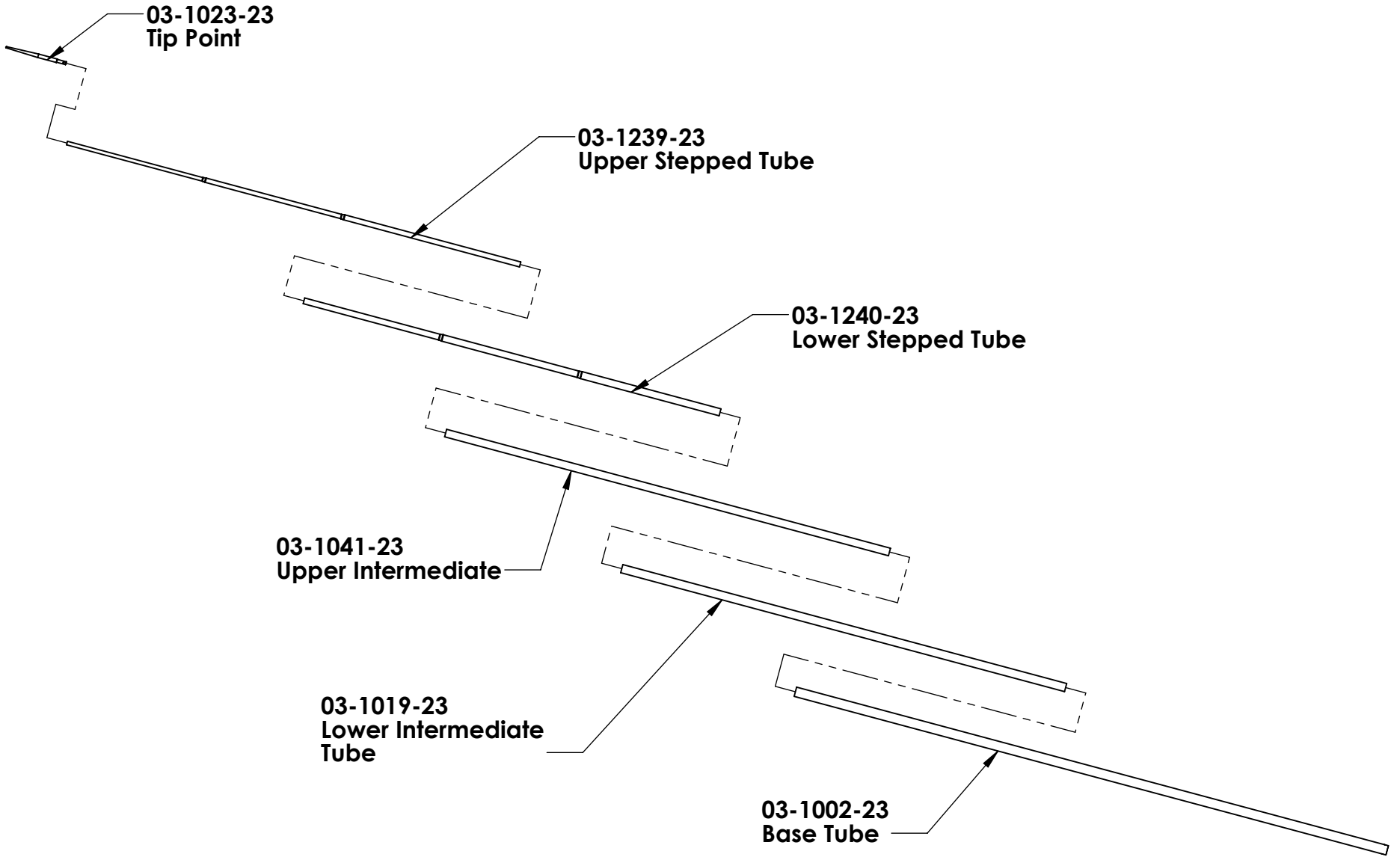


**RUPP MARINE INC.**

Port Salerno, FL.

**A3-0010-STD  
Tournament 3 Spreader**

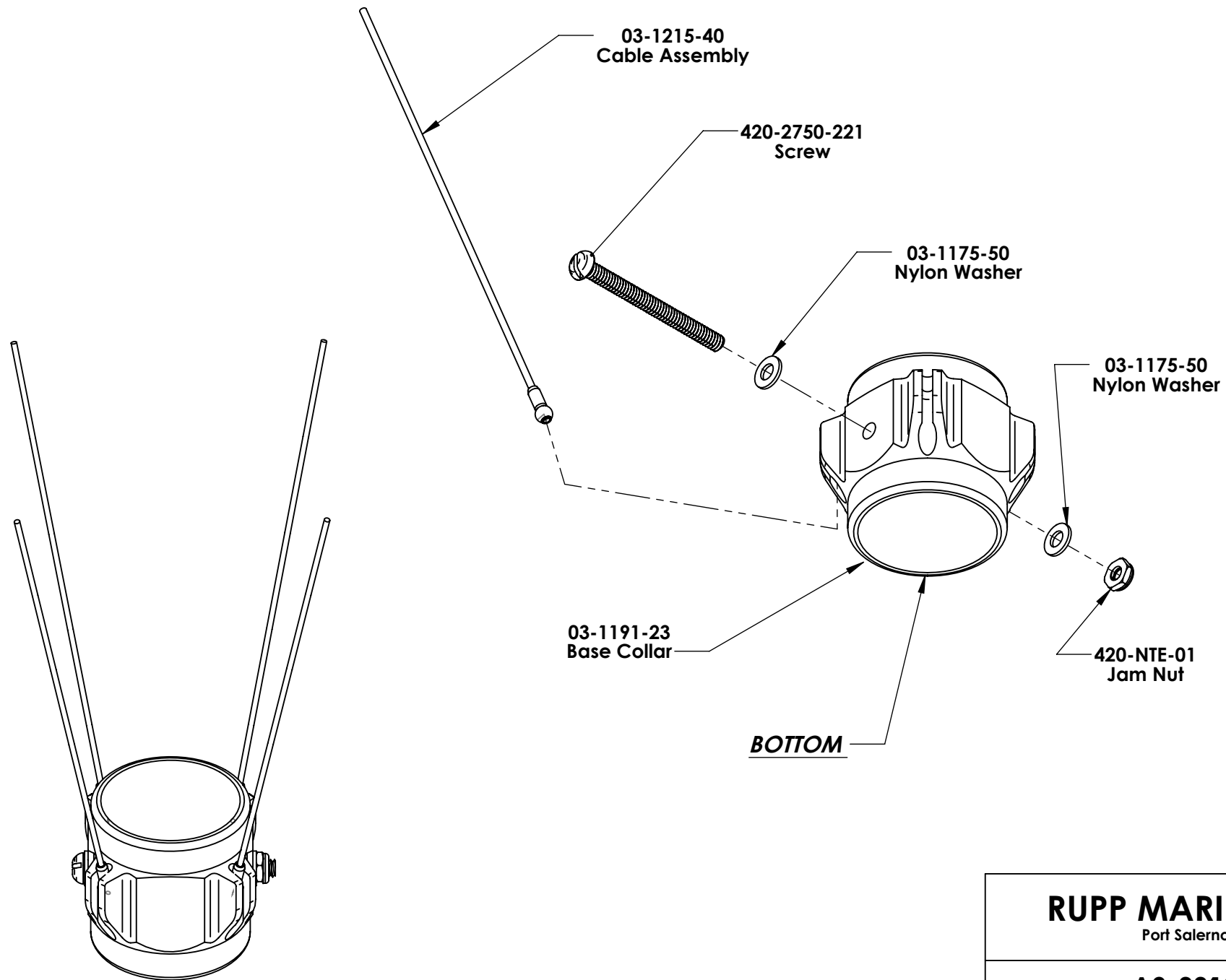


**RUPP MARINE INC.**

Port Salerno, FL.

**A3-0010-STD  
Tube Layout**

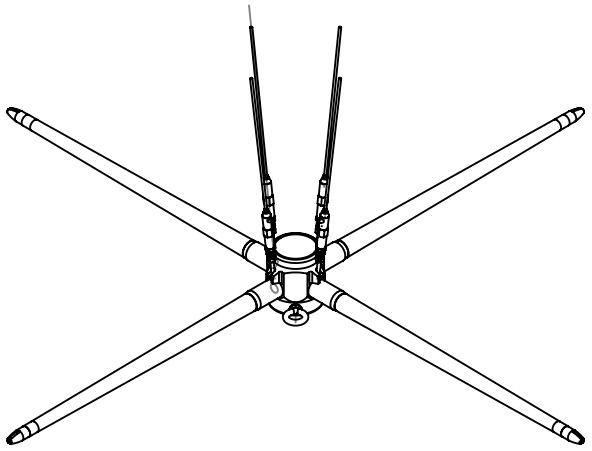
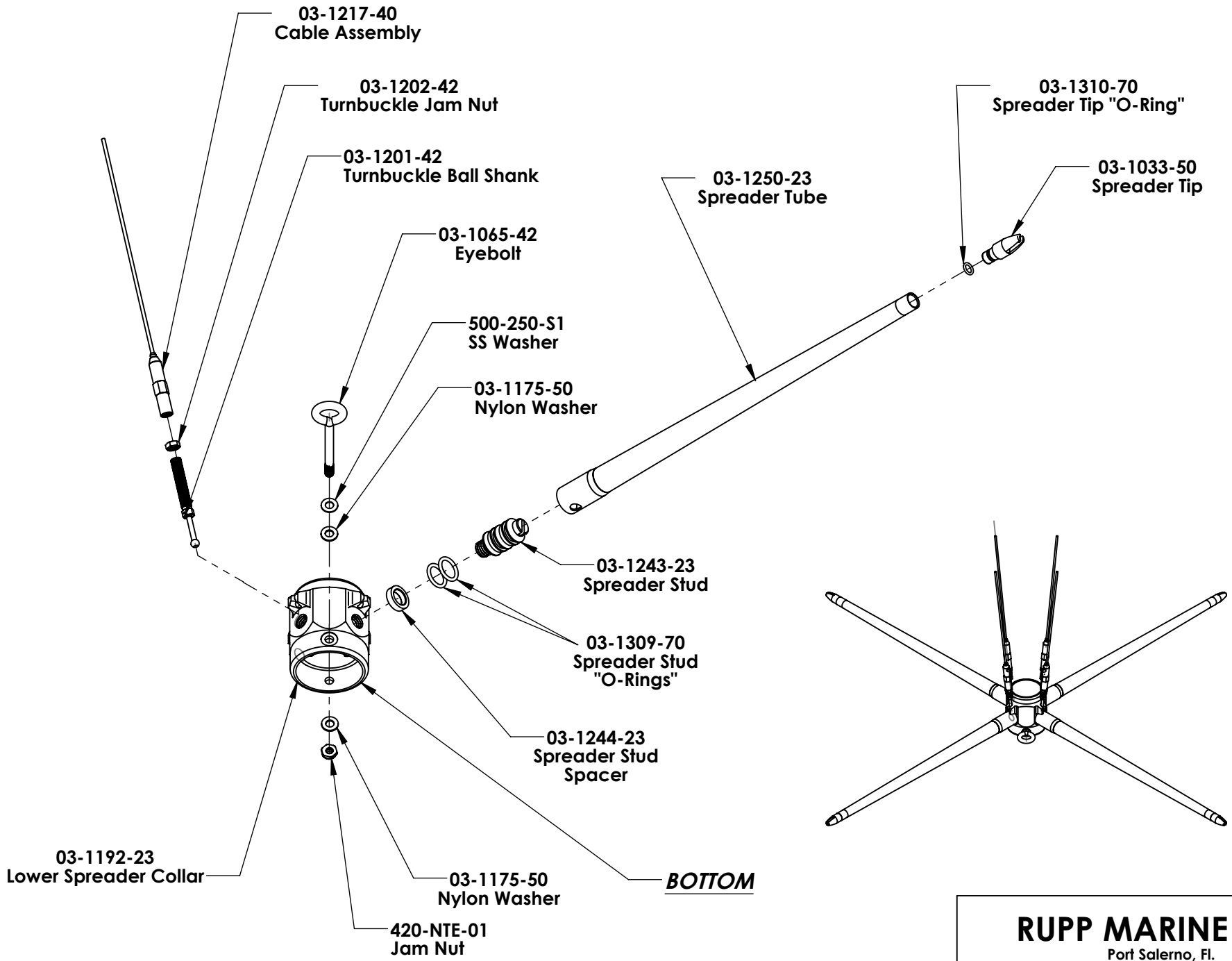




**RUPP MARINE INC.**

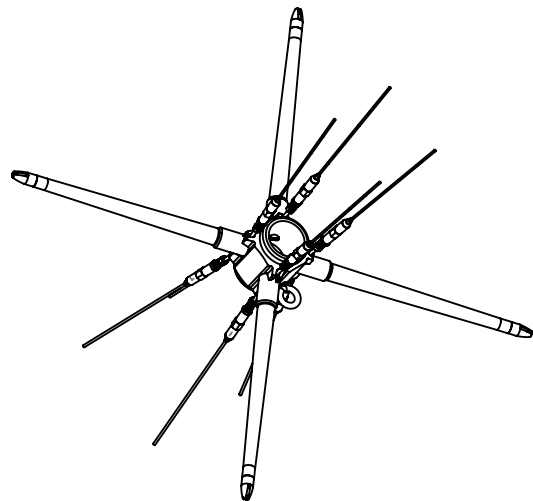
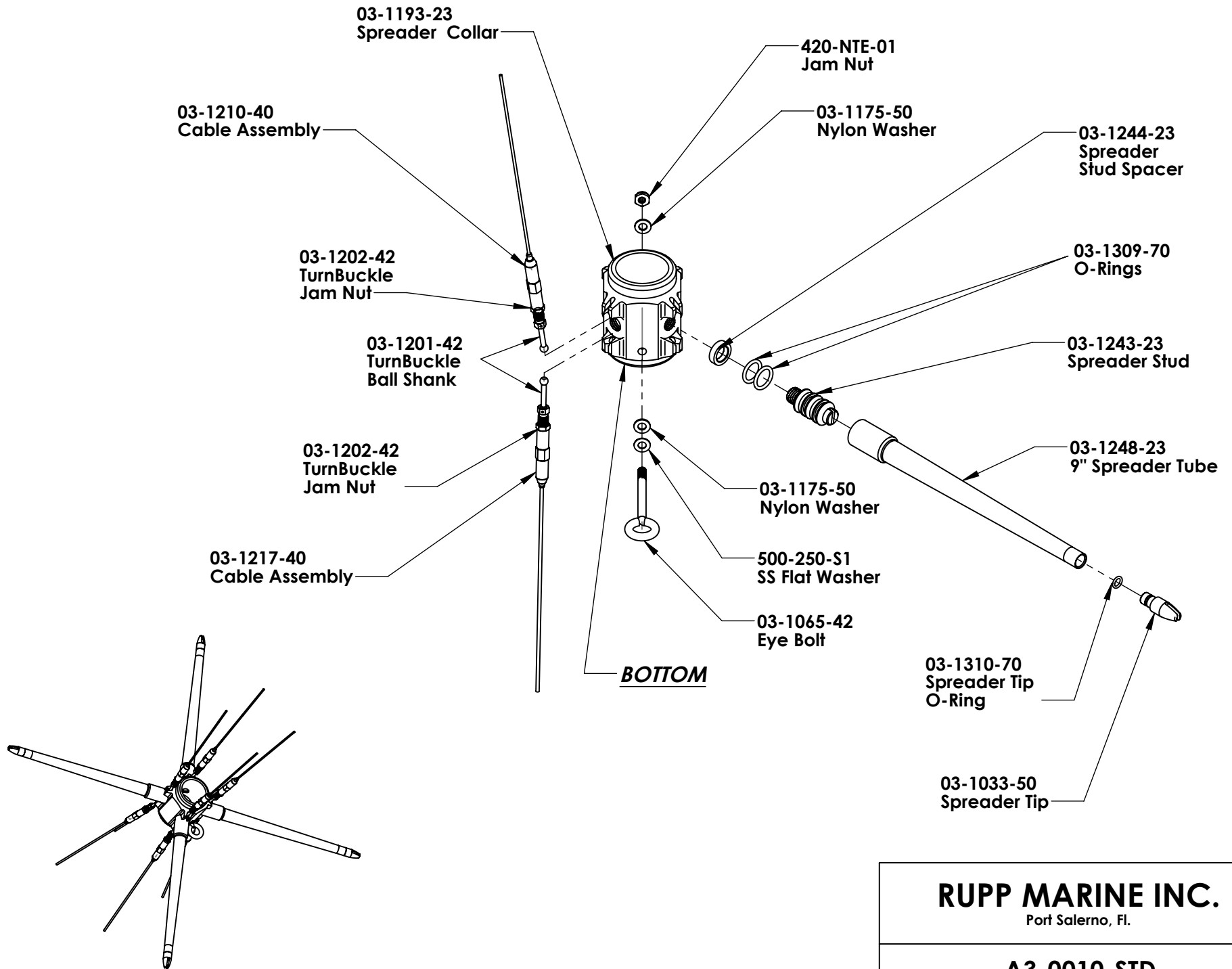
Port Salerno, FL.

**A3-0010-STD  
Base Collar Assy**



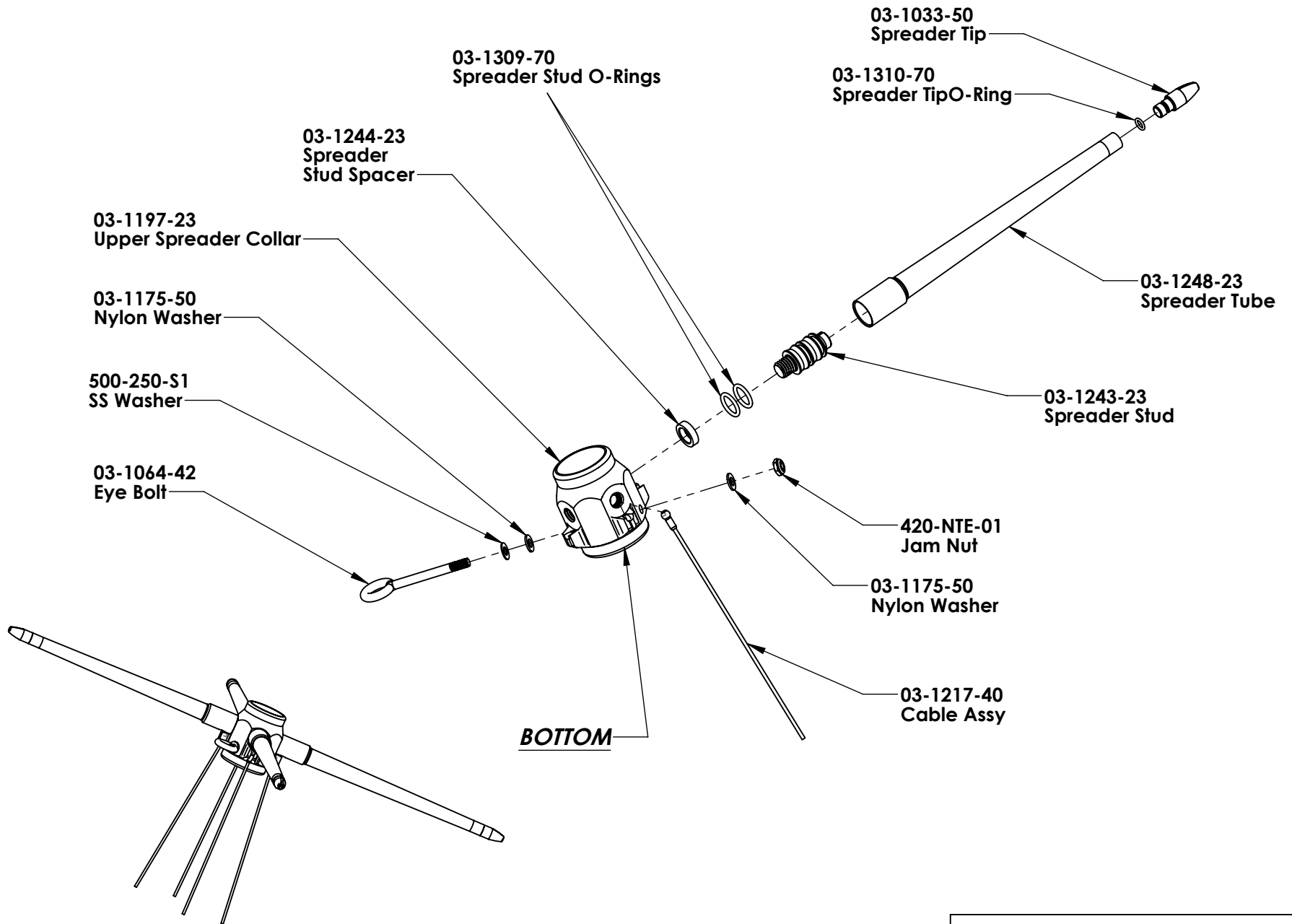
**RUPP MARINE INC.**  
Port Salerno, FL.

**A3-0010-STD**  
**Lower Spreader Collar**



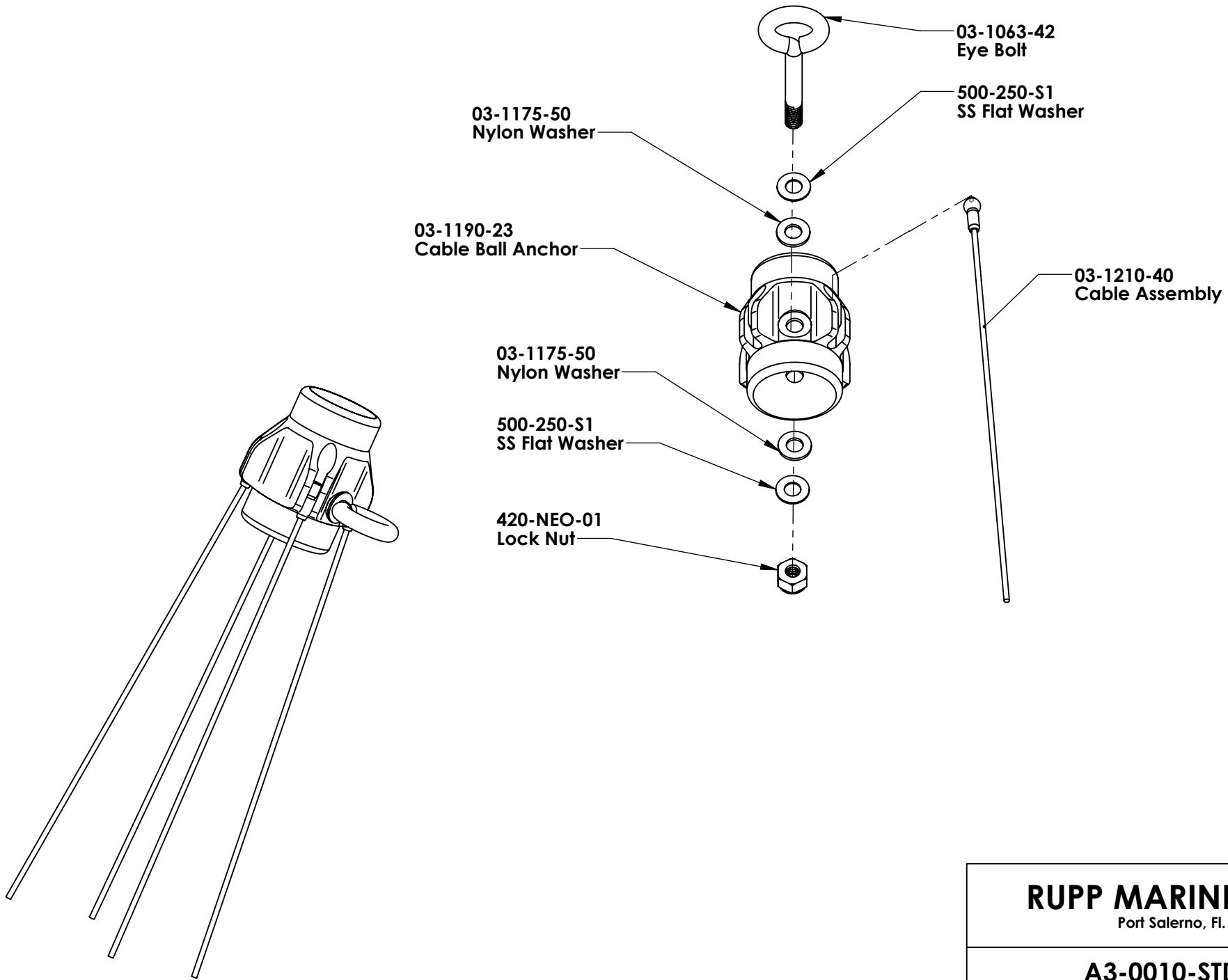
**RUPP MARINE INC.**  
Port Salerno, FL.

**A3-0010-STD**  
**Middle Spreader Assy**



**RUPP MARINE INC.**  
Port Salerno, FL.

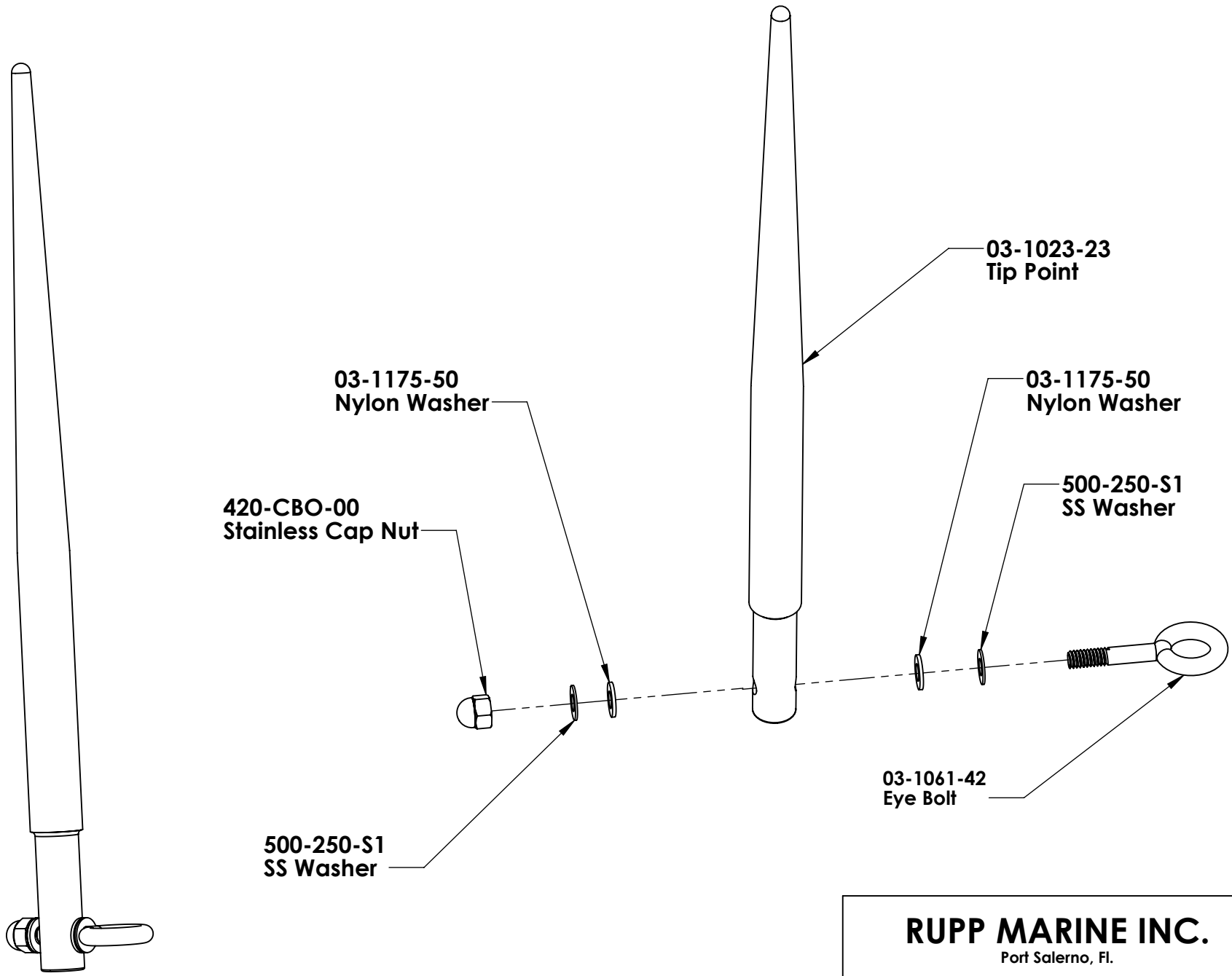
**A-0010-STD**  
**Upper Spreader Collar Assy**



**RUPP MARINE INC.**

Port Salerno, FL.

**A3-0010-STD  
Upper Cable Anchor Assy**



03-1175-50  
Nylon Washer

420-CBO-00  
Stainless Cap Nut

500-250-S1  
SS Washer

03-1023-23  
Tip Point

03-1175-50  
Nylon Washer

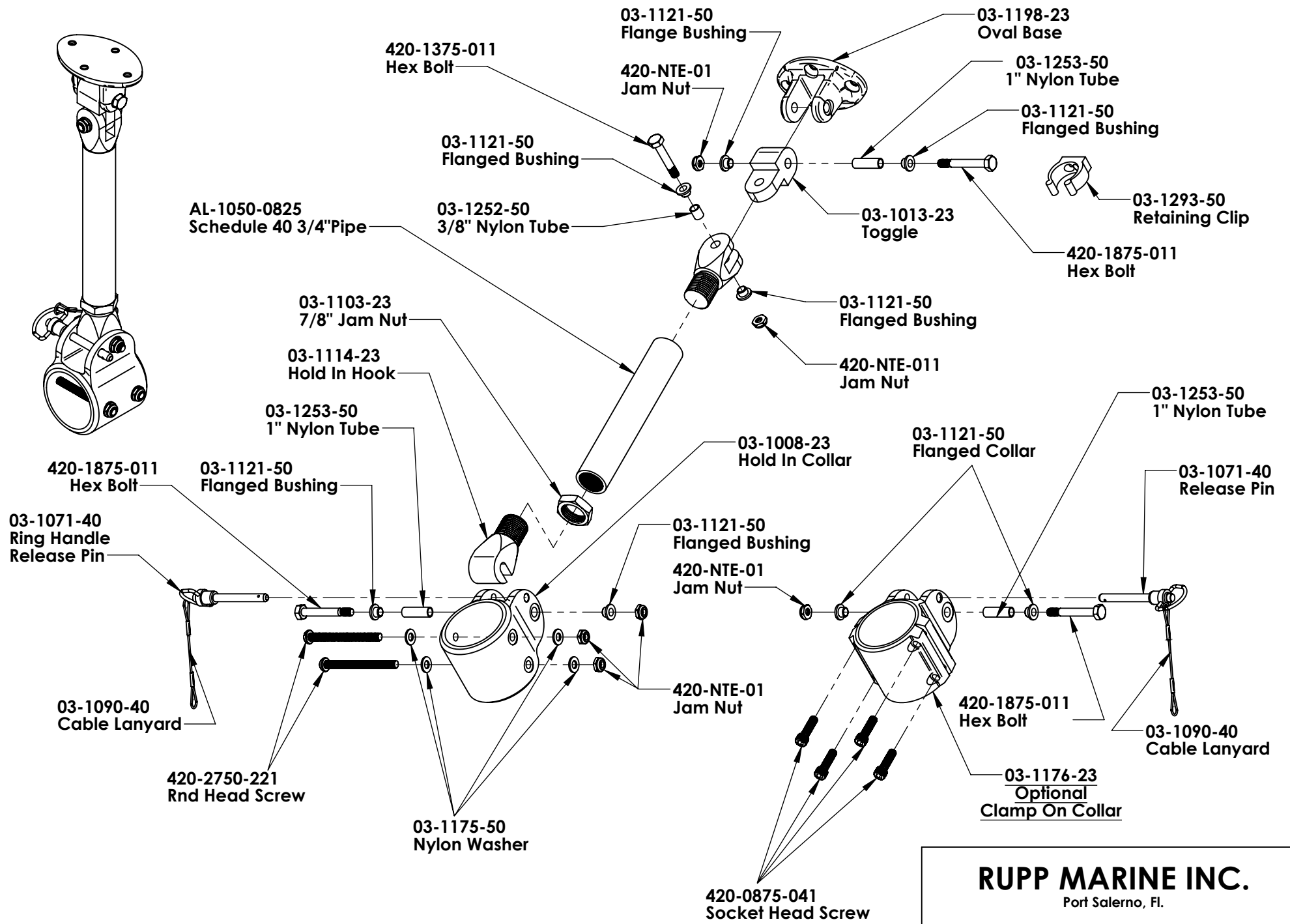
500-250-S1  
SS Washer

03-1061-42  
Eye Bolt

**RUPP MARINE INC.**

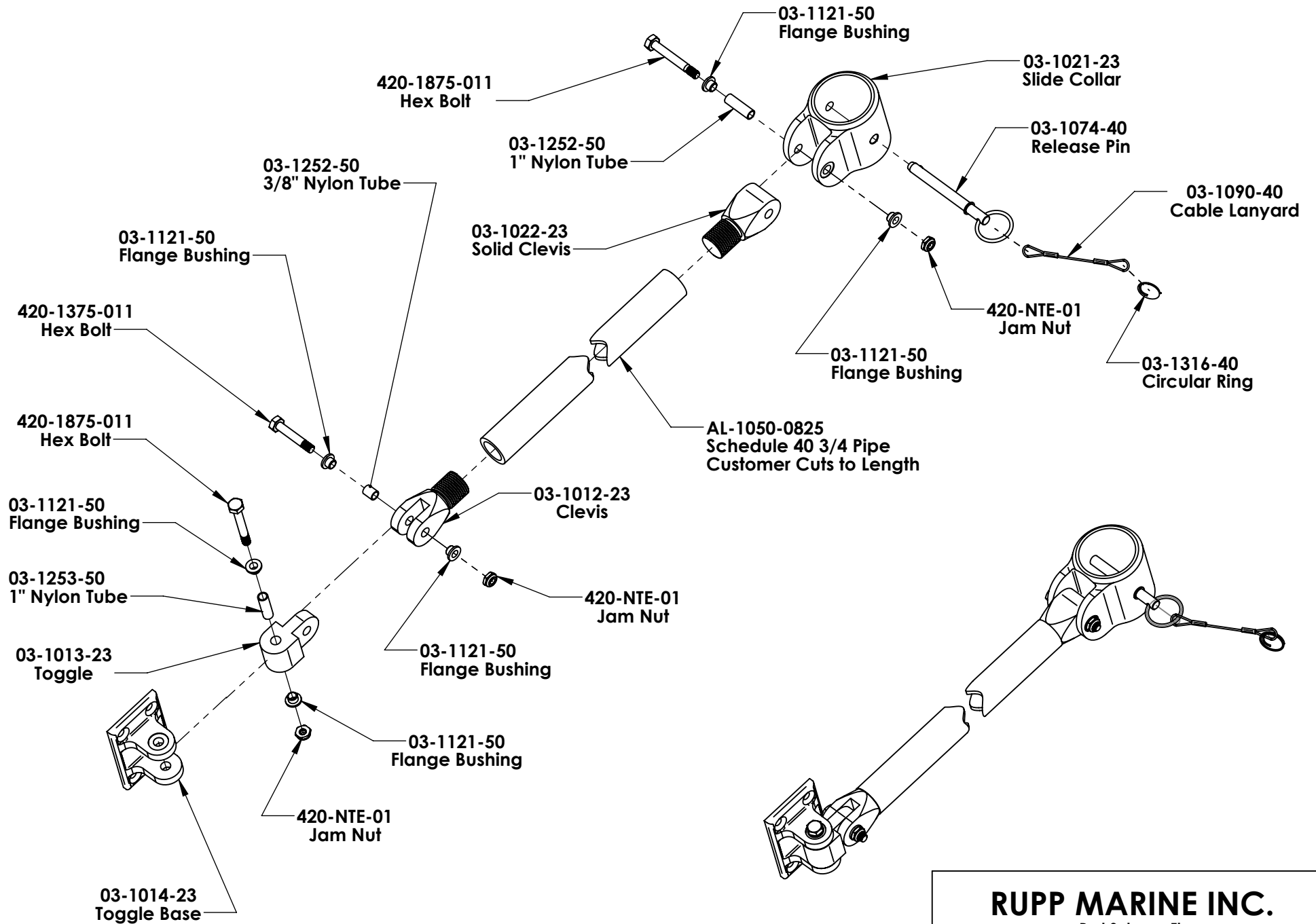
Port Salerno, FL.

**A3-0010-STD  
Tip Point Assembly**



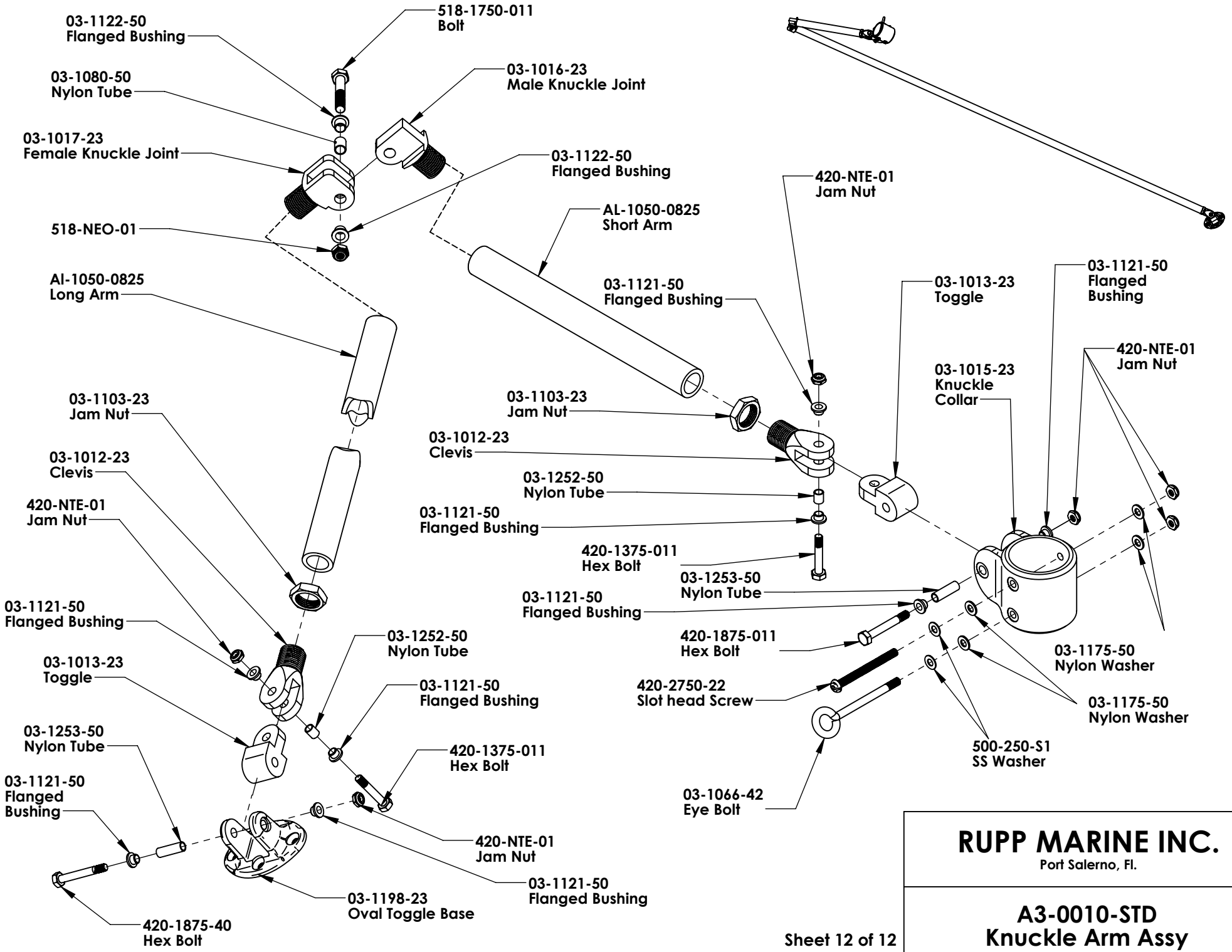
**RUPP MARINE INC.**  
 Port Salerno, FL.

**A3-0010-STD**  
**Hold In Arm Assy**



**RUPP MARINE INC.**  
 Port Salerno, FL.

**A3-0010-STD**  
**Back Bar Assy**



**RUPP MARINE INC.**  
 Port Salerno, FL.

**A3-0010-STD**  
**Knuckle Arm Assy**